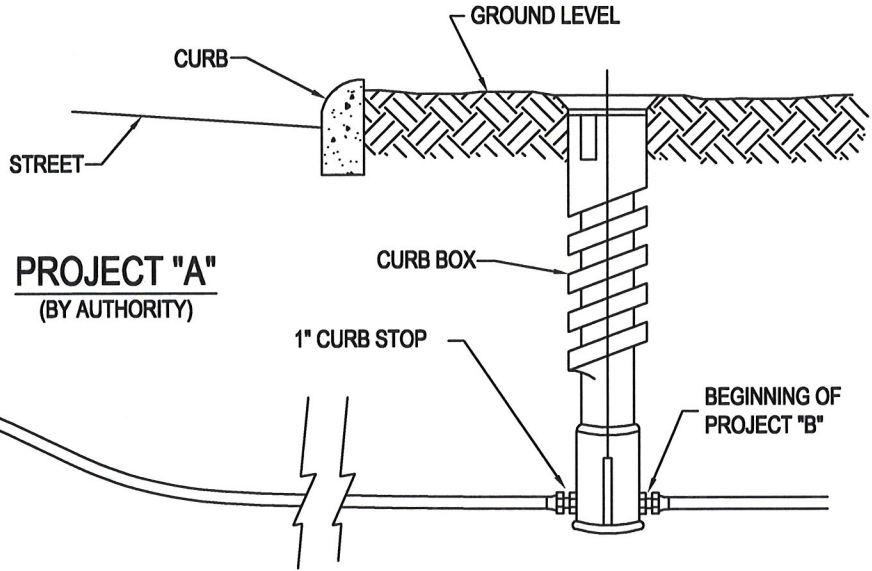


# APPROVED SERVICE LINE SET-UP FOR 1" METER

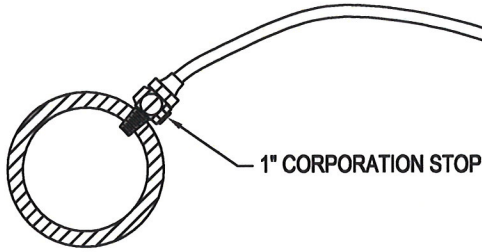
**NOTES:**

METER AND 1/2" METER COUPLINGS FURNISHED BY AUTHORITY AT NO EXTRA COST TO THE PROPERTY OWNER AS SHOWN ON PROJECT "B"

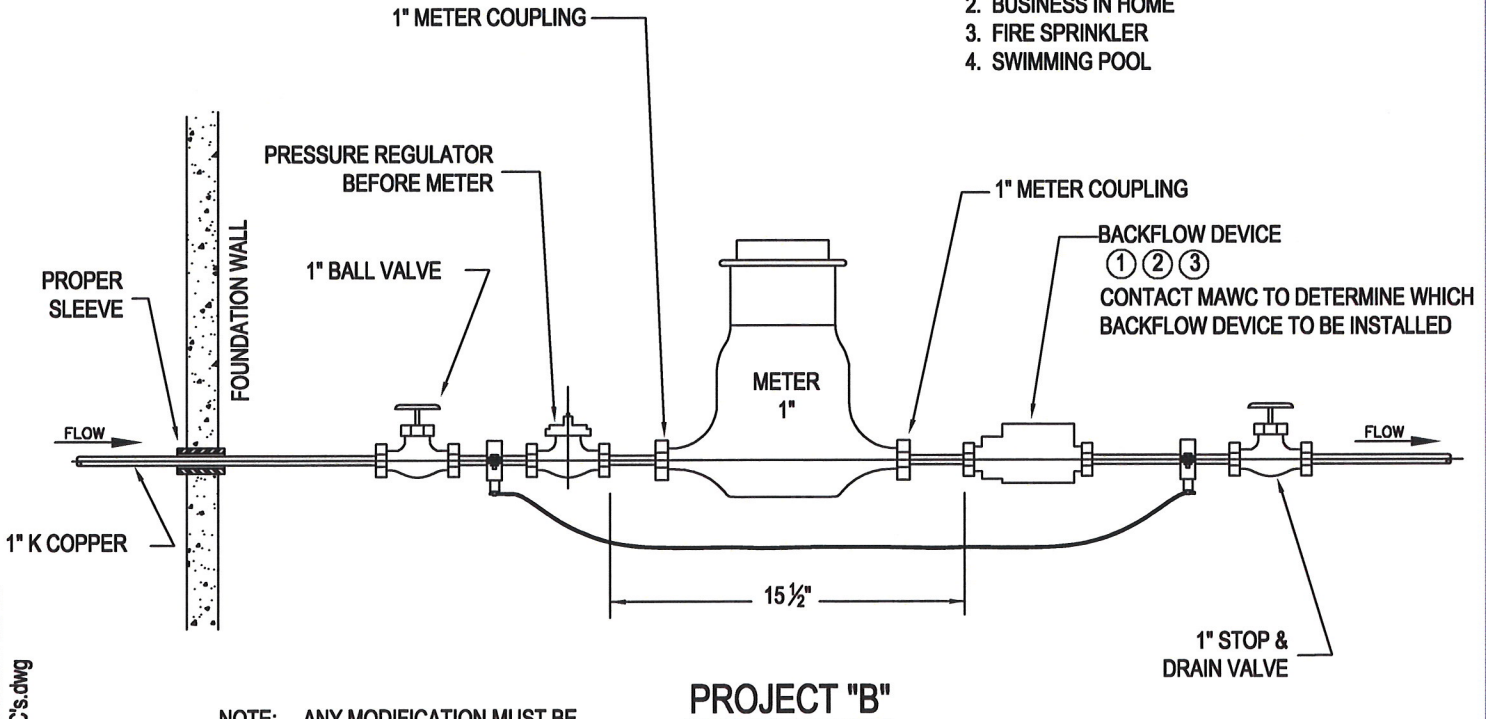
ANY MODIFICATION MUST BE APPROVED BY THE AUTHORITY



**PROJECT "A"**  
(BY AUTHORITY)



- ① RESIDENTIAL DUAL CHECK
- ② COMMERCIAL and INDUSTRIAL CUSTOMERS REQUIRE RPBA or DCVA
- ③ RESIDENTIAL CUSTOMERS WITH ONE OF THE FOLLOWING WILL REQUIRE RPBA or DCVA
  - 1. IRRIGATION SYSTEM
  - 2. BUSINESS IN HOME
  - 3. FIRE SPRINKLER
  - 4. SWIMMING POOL



**PROJECT "B"**

NOTE: ANY MODIFICATION MUST BE APPROVED BY THE AUTHORITY

O:\DRAFTING\DRAWINGS\COMMERCIAL SET-UP for 1" METER SPEC'S.dwg



**Municipal Authority of Westmoreland County**

**CUSTOMER SUPPORT**

**724-755-5800 or 800-442-6829 Ext 5885 or 5886**

REVISED: JULY 3, 2013