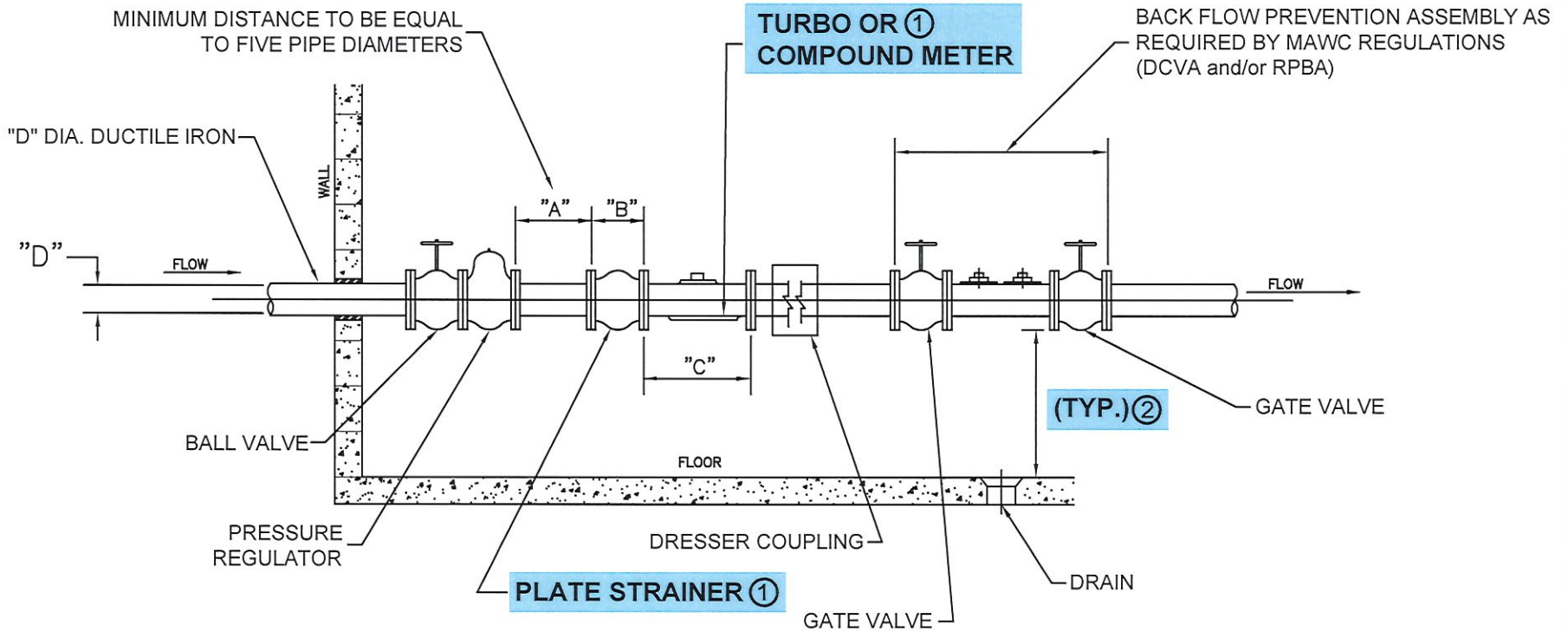


MAWC METER SETTING SPECIFICATIONS

(2", 3", 4", 6", 8" Turbo or Compound Meters)



NOTE: ANY MODIFICATION MUST BE APPROVED BY THE AUTHORITY

NOTES:

- ① PURCHASED BY CUSTOMER THROUGH MAWC
- ② PROVIDE SUPPORT AS NEEDED

REVISED: AUGUST 7, 2018

"D" (NOM. PIPE DIA.)	"A" (MIN.)	"B"	"C"	
			TURBO METER	COMPOUND METER
1 1/2"	---	-----	13 1/4"	-----
2"	10"	7"	17 1/4"	17 1/4"
3"	15"	6"	12 1/2"	17 1/2"
4"	20"	7 1/2"	14 1/2"	20 1/2"
6"	30"	9"	18 1/2"	24 1/2"
8"	40"	10"	20 1/2"	55 7/8"



Municipal Authority of Westmoreland County

CUSTOMER SUPPORT

724-755-5800 or 800-442-6829 Ext 5885 or 5886

O:\DRAFTING\DRAWINGS\COMMERCIAL\2" to 8" TURBO or COMP METER SETTING SPEC'S.dwg