

When the pressure is inadequate in the main, the building booster pump starts pumping, producing a negative pressure in the main and causing a reversal of flow in the opposite building.

C. Suggested Correction: The laboratory sink water outlet should be provided with a vacuum breaker. The water service line to the booster pump should be equipped with a device to cut off the pump when pressure approaches a negative head or vacuum.

Backsiphonage

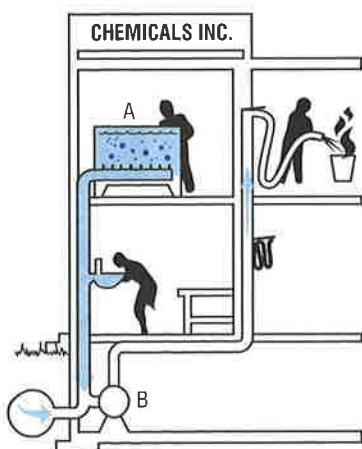
Case 3 (Fig. 46)

A. Contact Point: A chemical tank has a submerged inlet.

B. Cause of Reversed Flow: The plant fire pump draws suction directly from the city water supply line which is insufficient to serve normal plant requirements and a major fire at the same time. During a fire emergency, reversed flow may occur within the plant.

C. Suggested Correction: The water service to the chemical tank should be provided through an air gap.

FIGURE 46.
Backsiphonage (Case 3).



Backsiphonage

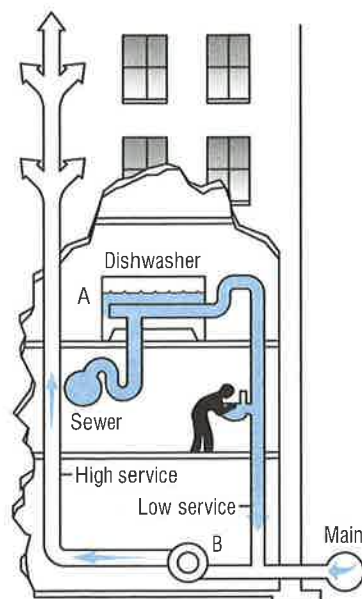
Case 4 (Fig. 47)

A. Contact Point: The water supply to the dishwasher is not protected by a vacuum breaker. Also, the dishwasher has a solid waste connection to the sewer.

B. Cause of Reversed Flow: The undersized main serving the building is subject to reduced pressures, and therefore only the first two floors of the building are supplied directly with city pressure. The upper floors are served from a booster pump drawing suction directly from the water service line. During periods of low city pressure, the booster pump suction creates negative pressures in the low system, thereby reversing the flow.

C. Suggested Correction: The dishwasher hot and cold water should be supplied through an air gap and the waste from the dishwasher should discharge through an indirect waste. The booster pump should be equipped with a low-pressure cutoff device.

FIGURE 47.
Backsiphonage (Case 4).



Backsiphonage

Case 5 (Fig. 48)

A. Contact Point: The gasoline storage tank is maintained full and under pressure by means of a direct connection to the city water distribution system.

FIGURE 48.
Backsiphonage (Case 5).

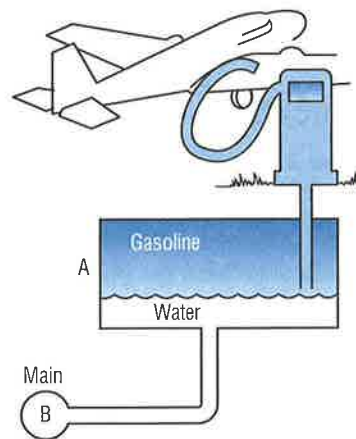
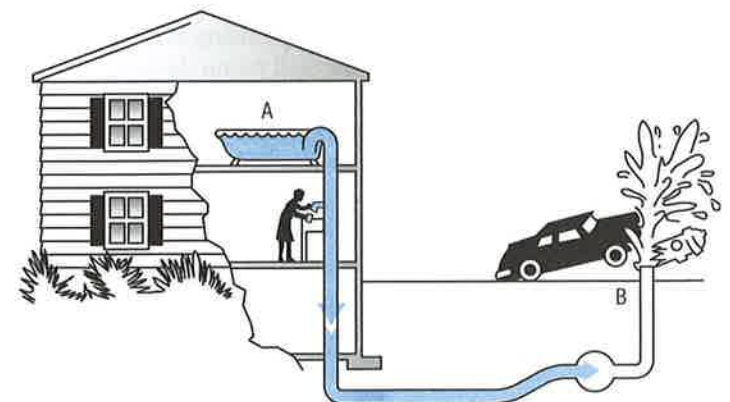


FIGURE 49.
Backsiphonage (Case 6).



B. Cause of Reversed Flow: Gasoline may enter the distribution system by gravity or by siphonage in the event of a leak or break in the water main.

C. Suggested Correction: A reduced pressure principle backflow preventer should be installed in the line to the gasoline storage tank or a surge tank and pump should be provided in that line.

Backsiphonage

Case 6 (Fig. 49)

A. Contact Point: There is a submerged inlet in the second floor bathtub.

B. Cause of Reversed Flow: An automobile breaks a nearby fire hydrant causing a rush of water and a negative pressure in the service line to the house, sucking dirty water out of the bathtub.

C. Suggested Correction: The hot and cold water inlets to the bathtub should be above the rim of the tub.

Illustrations of Backpressure

The following presents illustrations of typical plumbing installations where backflow resulting from backpressure is possible.

Backflow

Case I (Fig. 50)

A. Contact Point: A direct connection from the city supply to the boiler exists as a safety measure and for filling the system. The boiler water system is chemically treated for scale prevention and corrosion control.

B. Cause of Reversed Flow: The boiler water recirculation pump discharge pressure or backpressure from the boiler exceeds the city water pressure and the chemically treated water is pumped into the domestic system through an open or leaky valve.

C. Suggested Correction: As minimum protection two check valves in series should be provided in the makeup waterline to the boiler system. An air gap separation or reduced pressure principle backflow preventer is better.

FIGURE 50. Backflow (Case 1).

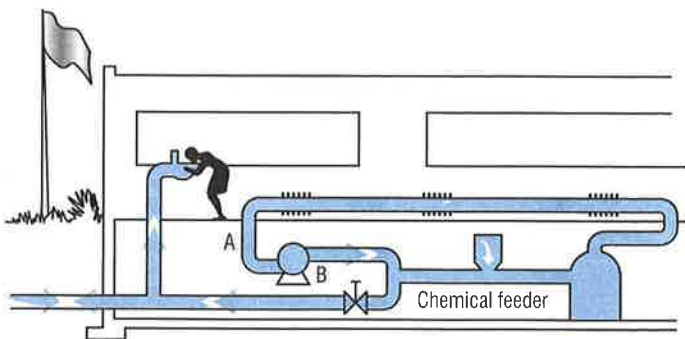
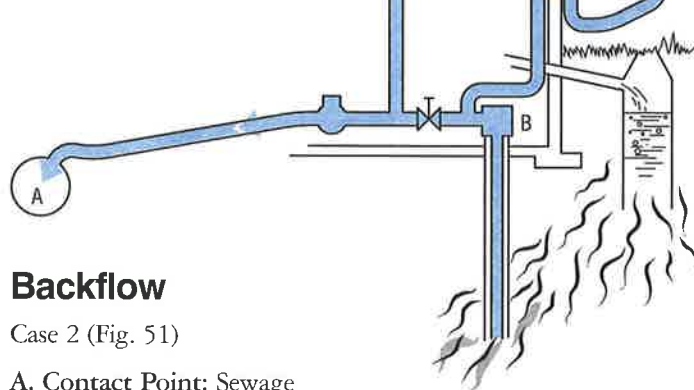


FIGURE 51. Backflow (Case 2).



Backflow

Case 2 (Fig. 51)

A. Contact Point: Sewage seeping from a residential cesspool pollutes the private well which is used for lawn sprinkling. The domestic water system, which is served from a city main, is connected to the well supply by means of a valve. The purpose of the connection may be to prime the well supply for emergency domestic use.

B. Cause of Reversed Flow: During periods of low city water pressure, possibly when lawn sprinkling is at its peak, the well pump discharge pressure exceeds that of the city main and well water is pumped into the city supply through an open or leaky valve.

C. Suggested Correction: The connection between the well water and city water should be broken

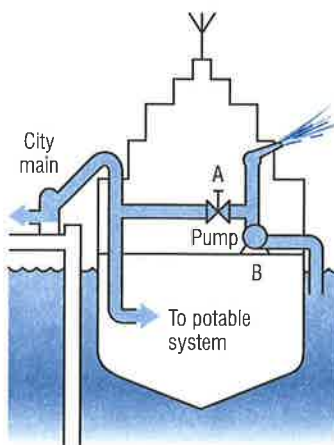
Backflow

Case 3 (Fig. 52)

A. Contact Point: A valve connection exists between the potable and the non potable systems aboard the ship.

B. Cause of Reversed Flow: While the ship is connected to the city water supply system for the purpose of taking on water for the potable system, the valve between the potable and nonpotable systems is opened, permitting contaminated water to be pumped into the municipal supply.

FIGURE 52. Backflow (Case 3).



C. Suggested Correction: Each pier water outlet should be protected against backflow. The main water service to the pier should also be protected against backflow by an air gap or reduced pressure principle backflow preventer.

Backflow

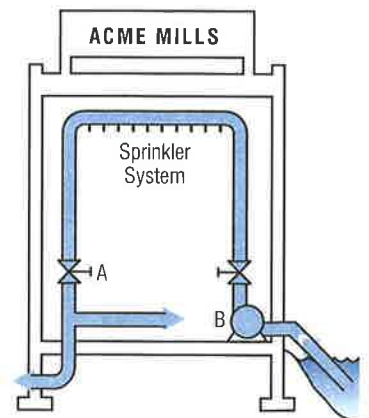
Case 4 (Fig. 53)

A. Contact Point: A single-valved connection exists between the public, potable water supply and the fire-sprinkler system of a mill.

B. Cause of Reversed Flow: The sprinkler system is normally supplied from a nearby lake through a high-pressure pump. About the lake are large numbers of overflowing septic tanks. When the valve is left open, contaminated lake water can be pumped to the public supply.

C. Suggested Correction: The potable water supply to the fire system should be through an air gap or a reduced pressure principle backflow preventer should be used.

FIGURE 53. Backflow (Case 4).



Illustrations of Air Gaps

The following illustrations describe methods of providing an air gap discharge to a waste line which may be occasionally or continuously subject to backpressure.

FIGURE 54.
Air gap to sewer subject to backpressure—force main.

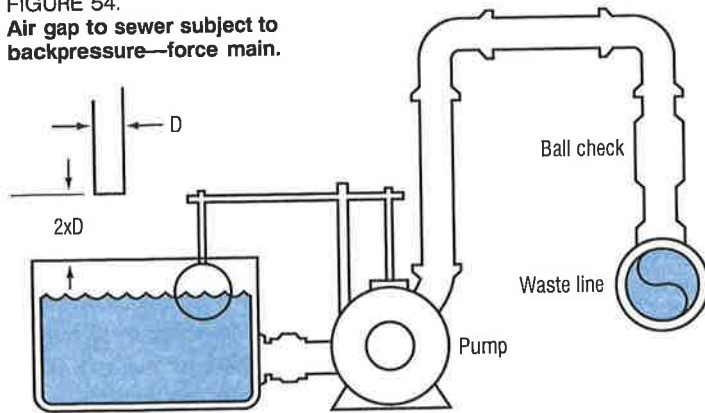


FIGURE 55.
Air gap to sewer subject to backpressure—gravity drain.

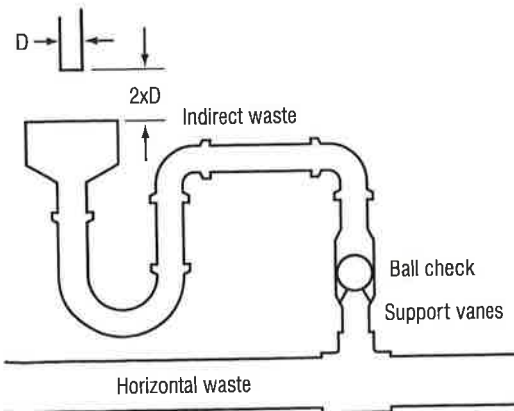
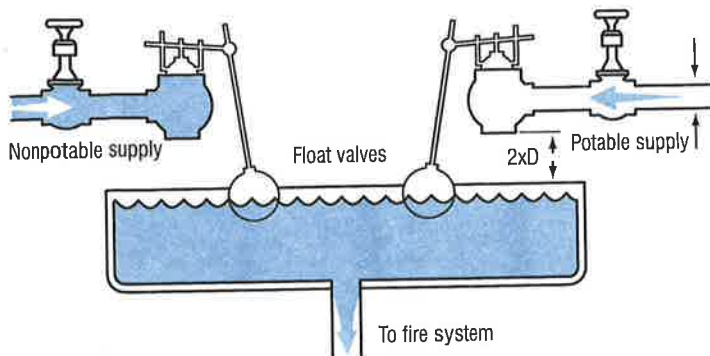


FIGURE 56.
Fire system makeup tank for a dual water system.



Illustrations of Vacuum Breakers

FIGURE 57.
Vacuum breakers.

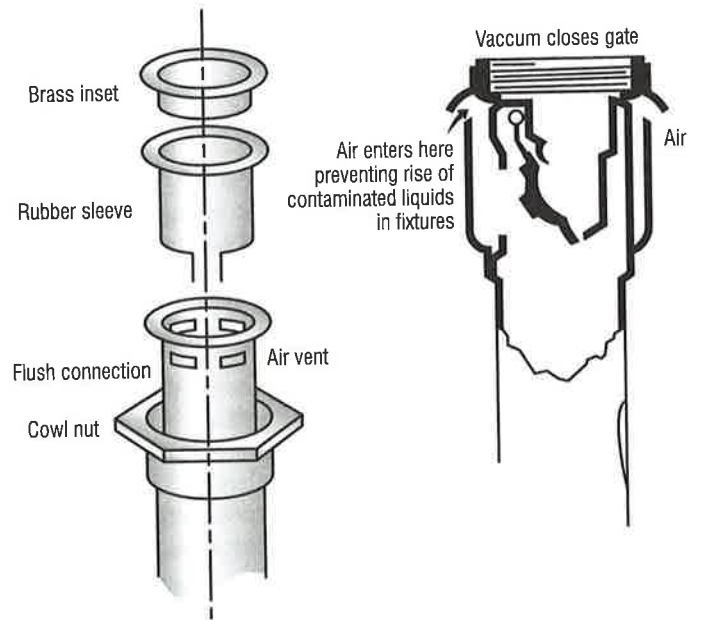
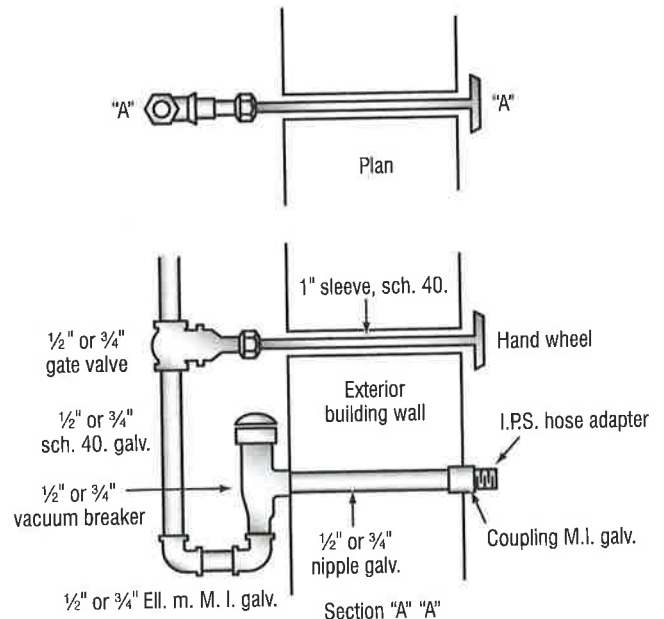


FIGURE 58.
Vacuum breaker arrangement for an outside hose hydrant.



(By permission of Mr. Gustave J. Angele Sr., P.E. formerly Plant Sanitary Engineer, Union Carbide Nuclear Division, Oak Ridge, Tenn.)

Glossary

- Air gap** The unobstructed vertical distance through the free atmosphere between the lowest opening from any pipe or faucet supplying water to a tank, plumbing fixture, or other device and the flood-level rim of the receptacle.
- Backflow** The flow of water or other liquids, mixtures, or substances into the distributing pipes of a potable supply of water from any source or sources other than its intended source. Backsiphonage is one type of backflow.
- Backflow Connection** Any arrangement whereby backflow can occur.
- Backflow Preventer** A device or means to prevent backflow. Backflow Preventer, Reduced Pressure Principle Type
- Backsiphonage** Backflow resulting from negative pressures in the distributing pipes of a potable water supply.
- Cross-Connection** Any actual or potential connection between the public water supply and a source of contamination or pollution.
- Effective Opening** The minimum cross-sectional area at the point of water supply discharge, measured or expressed in terms of (1) diameter of a circle, or (2) if the opening is not circular, the diameter of a circle or equivalent cross-sectional area.
- Flood-Level Rim** The edge of the receptacle from which water overflows.
- Flushometer Valve** A device which discharges a predetermined quantity of water to fixtures for flushing purposes and is actuated by direct water pressure.
- Free Water Surface** A water surface that is at atmospheric pressure.
- Frostproof Closet** A hopper with no water in the bowl and with the trap and water supply control valve located below frost line.
- Indirect Waste Pipe** A drain pipe used to convey liquid wastes that does not connect directly with the drainage system, but which discharges into the drainage system through an air break into a vented trap or a properly vented and trapped fixture, receptacle, or interceptor.
- Plumbing** The practice, materials, and fixtures used in the installation, maintenance, extension, and alteration of all piping, fixtures, appliances and appurtenances in connection with any of the following: sanitary drainage or storm drainage facilities, the venting system and the public or private water-supply systems, within or adjacent to any building, structure, or conveyance; also the practice and materials used in the installation, maintenance, extension, or alteration of storm water, liquid waste, or sewerage, and water-supply systems of any premises to their connection with any point of public disposal or other acceptable terminal.
- Potable Water** Water free from impurities present in amounts sufficient to cause disease or harmful physiological effects. Its bacteriological and chemical quality shall conform to the requirements of the USEPA National Primary Drinking Water Regulations and the regulations of the public health authority having jurisdiction.
- Vacuum** Any absolute pressure less than that exerted by the atmosphere.
- Vacuum Breaker** A device that permits air into a water supply distribution line to prevent backsiphonage.
- Water Outlet** A discharge opening through which water is supplied to a fixture, into the atmosphere (except into an open tank which is part of the water supply system), to a boiler or heating system, to any devices or equipment requiring water to operate but which are not part of the plumbing system.
- Water Supply System** The water service pipe, the water-distributing pipes, and the necessary connecting pipes, fittings, control valves, and all appurtenances in or adjacent to the building or premises. The water supply system is part of the plumbing system.